

---

**30" (76.2 cm) and 36" (91.4 cm)  
WALL-MOUNT CANOPY RANGE HOOD**

Installation Instructions and Use and Care Guide

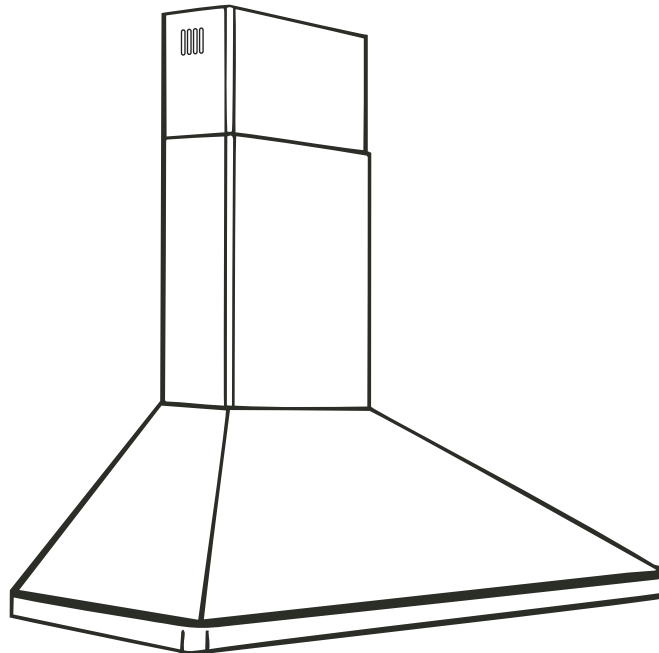
---

**HOTTE D'ASPIRATION POUR MONTAGE MURAL  
30" (76,2 cm) et 36" (91,4 cm)**

Instructions d'installation et Guide d'utilisation et d'entretien

---

Table of Contents/Table des matières.....2



**IMPORTANT: READ AND SAVE THESE INSTRUCTIONS.  
FOR RESIDENTIAL USE ONLY.**

**IMPORTANT : LIRE ET CONSERVER CES INSTRUCTIONS.  
POUR UTILISATION RÉSIDENIELLE UNIQUEMENT.**

**IMPORTANT:**

**Installer:** Leave installation instructions with the homeowner.  
**Homeowner:** Keep installation instructions for future reference.  
Save installation instructions for local inspector's use.

**IMPORTANT :**

**Installateur :** Remettre les instructions d'installation au propriétaire.  
**Propriétaire :** Conserver les instructions d'installation pour consultation ultérieure.  
Conserver les instructions d'installation pour consultation par l'inspecteur local.

## TABLE OF CONTENTS

RANGE HOOD SAFETY .....	2
INSTALLATION REQUIREMENTS .....	4
Tools and Parts .....	4
Location Requirements .....	4
Venting Requirements .....	5
Electrical Requirements .....	6
INSTALLATION INSTRUCTIONS .....	6
Prepare Location .....	6
Install Range Hood .....	8
Install Vent (for vented installations only) .....	8
Make Electrical Connection .....	8
Complete Installation .....	9
Install Filters .....	9
Check Operation .....	9
RANGE HOOD USE .....	10
Operation .....	10
RANGE HOOD CARE .....	10
Cleaning and Maintenance .....	10
Accessories .....	11
REQUESTING ASSISTANCE OR SERVICE .....	11
WARRANTY .....	12
WIRING DIAGRAM .....	13

## TABLE DES MATIÈRES

SÉCURITÉ DE LA HOTTE DE CUISINIÈRE .....	14
EXIGENCES D'INSTALLATION .....	16
Outillage et pièces .....	16
Exigences d'emplacement .....	16
Exigences concernant l'évacuation .....	17
Spécifications électriques .....	18
INSTRUCTIONS D'INSTALLATION .....	19
Préparation de l'emplacement .....	19
Installation de la hotte de cuisinière .....	20
Installation du conduit d'évacuation (seulement pour installation avec décharge à l'extérieur) .....	21
Raccordement électrique .....	21
Achever l'installation .....	21
Installation des filtres .....	22
Contrôle du fonctionnement .....	22
UTILISATION DE LA HOTTE DE CUISINIÈRE .....	23
Fonctionnement .....	23
ENTRETIEN DE LA HOTTE DE CUISINIÈRE .....	23
Nettoyage et entretien .....	23
Accessoires .....	24
DEMANDE D'ASSISTANCE OU DE SERVICE .....	25
GARANTIE .....	26
SCHÉMA DE CÂBLAGE .....	27

## RANGE HOOD SAFETY

### Your safety and the safety of others are very important.

We have provided many important safety messages in this manual and on your appliance. Always read and obey all safety messages.



This is the safety alert symbol.

This symbol alerts you to potential hazards that can kill or hurt you and others.

All safety messages will follow the safety alert symbol and either the word "DANGER" or "WARNING."

These words mean:

**⚠ DANGER**

You can be killed or seriously injured if you don't immediately follow instructions.

**⚠ WARNING**

You can be killed or seriously injured if you don't follow instructions.

All safety messages will tell you what the potential hazard is, tell you how to reduce the chance of injury, and tell you what can happen if the instructions are not followed.

# IMPORTANT SAFETY INSTRUCTIONS

**WARNING:** TO REDUCE THE RISK OF FIRE, ELECTRIC SHOCK, OR INJURY TO PERSONS, OBSERVE THE FOLLOWING:

- Use this unit only in the manner intended by the manufacturer. If you have questions, contact the manufacturer.
- Before servicing or cleaning the unit, switch the power off at the service panel disconnecting means to prevent power from being switched on accidentally. When the service disconnecting means cannot be locked, securely fasten a prominent warning device, such as a tag, to the service panel.
- Installation work and electrical wiring must be done by qualified person(s) in accordance with all applicable codes & standards, including fire-rated construction.
- Sufficient air is needed for proper combustion and exhausting of gases through the flue (chimney) of fuel burning equipment to prevent backdrafting. Follow the heating equipment manufacturer's guideline and safety standards such as those published by the National Fire Protection Association (NFPA), the American Society for Heating, Refrigeration and Air Conditioning Engineers (ASHRAE), and the local code authorities.
- When cutting or drilling into wall or ceiling; do not damage electrical wiring and other utilities.
- Ducted systems must always be vented outdoors.

**CAUTION:** For general ventilating use only. Do not use to exhaust hazardous or explosive materials and vapors.

**CAUTION:** To reduce risk of fire and to properly exhaust air, be sure to duct air outside - do not vent exhaust air into spaces within walls ceilings, attics, crawl spaces, or garages.

**WARNING:** TO REDUCE THE RISK OF FIRE, USE ONLY METAL DUCTWORK.

**WARNING:** TO REDUCE THE RISK OF A RANGE TOP GREASE FIRE:

- Never leave the surface units unattended at high settings. Boilovers cause smoking and greasy spillovers that may ignite. Heat oils slowly on low or medium settings.
- Always turn hood ON when cooking at high heat or when flaming food (i.e. Crepes Suzette, Cherries Jubilee, Peppercorn Beef Flambe).
- Clean ventilating fans frequently. Grease should not be allowed to accumulate on fan or filter.
- Use proper pan size. Always use cookware appropriate for the size of the surface element.

**WARNING:** TO REDUCE THE RISK OF INJURY TO PERSONS IN THE EVENT OF A RANGE TOP GREASE FIRE, OBSERVE THE FOLLOWING:<sup>a</sup>

- SMOTHER FLAMES with a close fitting lid, cookie sheet, or other metal tray, then turn off the gas burner or electric element. BE CAREFUL TO PREVENT BURNS. If the flames do not go out immediately, EVACUATE AND CALL THE FIRE DEPARTMENT.
- NEVER PICK UP A FLAMING PAN - you may be burned.
- DO NOT USE WATER, including wet dishcloths or towels - a violent steam explosion will result.
- Use an extinguisher ONLY if:
  - You know you have a class ABC extinguisher, and you already know how to operate it.
  - The fire is small and contained in the area where it started.
  - The fire department is being called.
  - You can fight the fire with your back to an exit.

<sup>a</sup>Based on "Kitchen Fire Safety Tips" published by NFPA.

- **WARNING:** To reduce the risk of fire or electrical shock, do not use this fan with any solid-state speed control device.

## SAVE THESE INSTRUCTIONS

# INSTALLATION REQUIREMENTS

## Tools and Parts

Gather the required tools and parts before starting installation. Read and follow the safety instructions provided with any tools listed here.

### Tools needed:

- level
- drill with 1/4" (3 cm), 3/8" (9.5 mm), 7/64" (2.75 mm) and 1/8" (3 mm) drill bits
- pencil
- wire stripper or utility knife
- measuring tape or ruler
- pliers
- caulking gun and weatherproof caulking compound
- duct tape
- jig saw or keyhole saw
- flat blade screwdriver
- metal snips
- Phillips screwdriver

### Parts needed:

- 1 x 1/2" conduit
- 1 wall or roof cap
- metal vent system
- 2 charcoal filters – for non-vented (recirculating) installations only

### Parts supplied:

Remove parts from packages. Check that all parts were included.

- hood canopy assembly with ventilator and light bulbs installed
- deflector for non-vented (recirculating) installations
- plastic transition with back draft dampers installed
- Installation Instructions and Use & Care Guide
- filter(s) – depending on model and size
- screws and drywall anchors
- 2 mounting hooks
- vent cover support bracket
- mounting template
- 2 piece vent cover
- rubber tape

## Location Requirements

**IMPORTANT:** Observe all governing codes and ordinances.

Canopy hood location should be away from strong draft areas, such as windows, doors and strong heating vents.

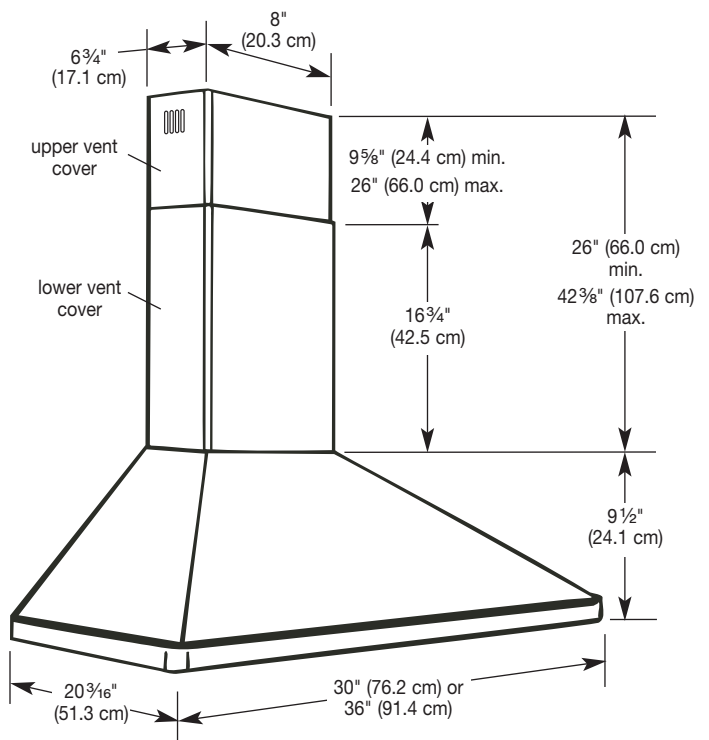
Cabinet opening dimensions that are shown must be used. Given dimensions provide minimum clearance.

Grounded electrical outlet is required. See "Electrical requirements" section.

The canopy hood is factory set for venting through the roof or wall. For non-vented (recirculating) installations see "Non-vented (recirculating) installations" in "Prepare Mounting Location" section.

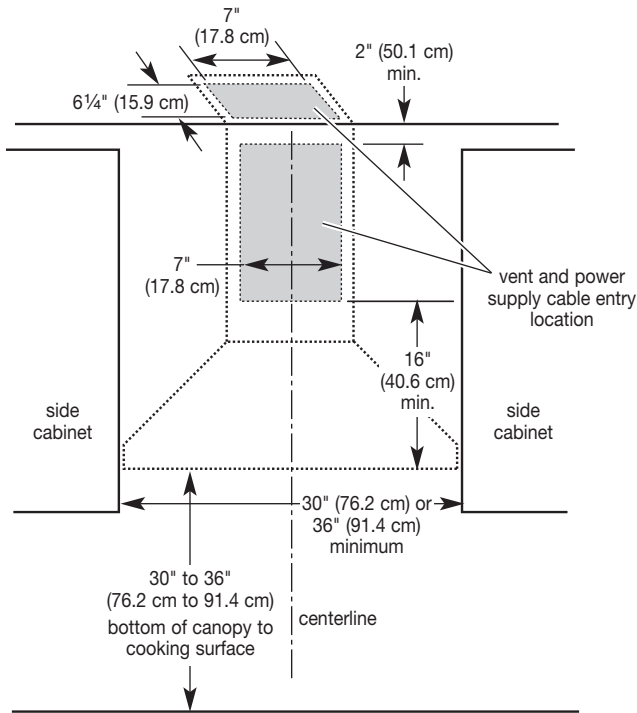
All openings in ceiling and wall where canopy hood will be installed must be sealed.

## Product Dimensions



**NOTE:** For reduced ceiling height vented and non-vented (recirculating) installations, only the upper vent cover, which is 26" (66.0 cm), is used.

## Installation Clearances



## Venting Requirements

- Vent system must terminate to the outside.
- Do not terminate the vent system in an attic or other enclosed area.
- Do not use 4" (10.2 cm) laundry-type wall caps.
- Use metal vent only. Rigid metal vent is recommended. Do not use plastic or metal foil vent.

### For the most efficient and quiet operation:

- Use a straight run or as few elbows as possible.
- Use no more than three 90° elbows.
- Make sure there is a minimum of 24" (61 cm) of straight vent between the elbows if more than one elbow is used.
- Do not install two elbows together.
- Use duct tape to seal all joints in the vent system.
- Use caulking to seal exterior wall or roof opening around the cap.

### Cold weather installations

An additional backdraft damper should be installed to minimize backward cold air flow and a nonmetallic thermal break to minimize conduction of outside temperatures as part of the vent system. The damper should be on the cold air side of the thermal break.

The break should be as close as possible to where the vent system enters the heated portion of the house.

### Make up air

Local building codes may require the use of make-up air systems when using ventilation systems greater than specified CFM of air movement. The specified CFM varies from locale to locale. Consult your HVAC professional for specific requirements in your area.

## Venting Methods

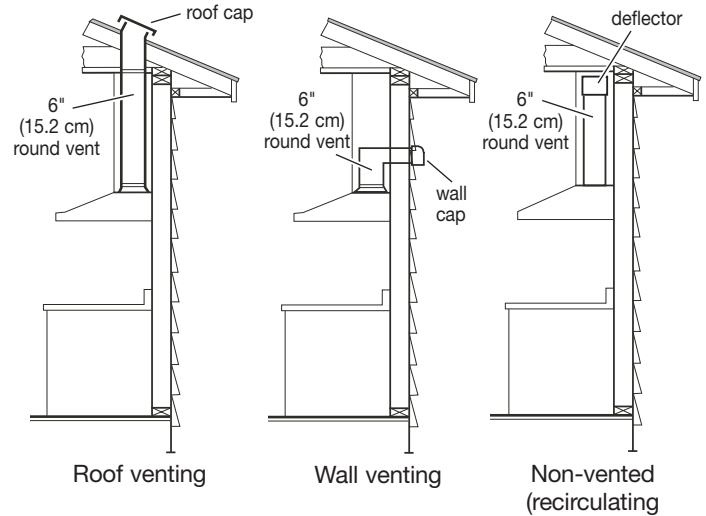
This canopy hood is factory set for venting through the roof or wall.

A 6" (15.2 cm) round vent system needed for installation (not included). The hood exhaust opening is 6" (15.2 cm) round.

**NOTE:** Flexible vent is not recommended. Flexible vent creates back pressure and air turbulence that greatly reduces performance.

Vent system can terminate either through the roof or wall. To vent through a wall, a 90° elbow is needed.

For non-vented (recirculating) installations see "Vent Installations, Non-vented (recirculating) installations" in "Prepare Location" section.

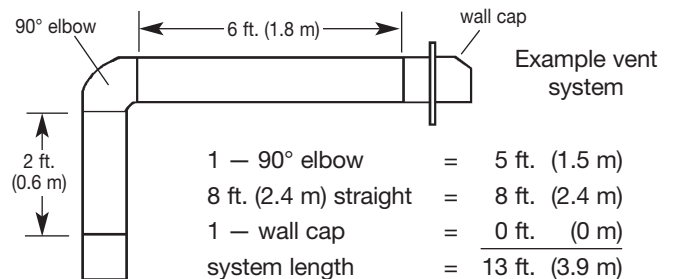


## Calculating Vent System Length

To calculate the length of the system you need, add the equivalent feet (meters) for each vent piece used in the system.

Vent piece	6" (15.2 cm) round
45° elbow	2.5 feet (0.8 m)
90° elbow	5.0 feet (1.5 m)

Maximum equivalent vent length is 35 feet (10.7 meters).



## Electrical Requirements

### **⚠ WARNING**



#### **Electrical Shock Hazard**

**Disconnect power before servicing.**

**Replace all parts and panels before operating.**

**Failure to do so can result in death or electrical shock.**

**IMPORTANT:** The hood must be electrically grounded in accordance with local codes and ordinances, or in the absence of local codes, with the National Electrical Code, ANSI/NFPA 70, latest edition, or Canadian Electrical Code, CSA C22.1

If codes permit and a separate ground wire is used, it is recommended that a qualified electrical installer determine that the ground path is adequate.

A copy of the above code standards can be obtained from:

National Fire Protection Association  
One Batterymarch Park, Quincy, MA 02269  
CSA International  
8501 East Pleasant Valley Road  
Cleveland, Ohio 44131-5575

- A 120-volt, 60-Hz, AC-only, 15-amp, fused electrical circuit is required. A time-delay fuse or circuit breaker is also recommended. It is recommended that a separate circuit serving only this hood be provided.
- Do not ground to a gas pipe.
- Check with a qualified electrician if you are not sure range hood is properly grounded.
- Do not have a fuse in the neutral or ground circuit.
- The range hood must be connected with copper wire only.
- The range hood should be connected directly to the fused disconnect (or circuit breaker) box through flexible armored cable or flexible metallic conduit.
- Wire sizes must conform to the requirements of the National Electrical Code, ANSI/NFPA 70, latest edition, or CSA Standards C22.1-94, Canadian Electrical Code, Part 1 and C22.2 No. 0-M91, latest edition, and all local codes and ordinances.

## INSTALLATION INSTRUCTIONS

### Prepare Location

- Do not cut a joist or stud unless absolutely necessary. If a joist or stud must be cut, then a supporting frame must be constructed.
- Before making cutouts, make sure there is proper clearance within the ceiling or wall for exhaust vent.
- We recommend the hood be installed 30"–36" (76.2 cm – 94.1 cm) above the countertop.
- Check your ceiling height and the hood height maximum before you select your hood.

### **⚠ WARNING**

#### **Excessive Weight Hazard**

**Use two or more people to move and install range.**

**Failure to do so can result in back or other injury.**

1. If possible, disconnect and move freestanding or slide-in range from cabinet opening to provide easier access to rear wall. Otherwise put a thick, protective covering over countertop, cooktop or range to protect from damage or dirt.

2. Select a flat surface for assembling the unit. Cover that surface with a protective covering.

### **⚠ WARNING**

#### **Excessive Weight Hazard**

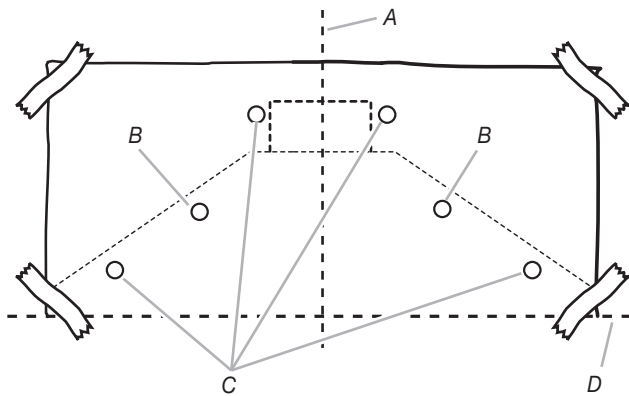
**Use two or more people to move and install range hood.**

**Failure to do so can result in back or other injury.**

3. Using 2 or more people, lift range hood onto protective covering.
4. Determine and mark the centerline on the wall where the canopy hood will be installed.
5. Select a mounting height between 30" and 36" (76.2 cm and 94.1 cm) above the range to the bottom of the hood and mark reference line on the wall.

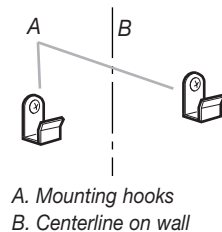
**NOTE:** For installation locations with reduced ceilings heights, the vent hood may be installed using the upper vent cover for both vented and non-vented (recirculating) installations.

6. Tape template in place aligning the template centerline and bottom of template with hood bottom line and with the centerline marked on the wall.



A. Centerline  
B. Mounting hook location  
C. Fastener locations  
D. Mounting height reference

7. Mark centers of the 6 fastener locations through the template to the wall.  
**IMPORTANT:** At least two of the screws must be installed into wood.  
Remove the template.
8. Drill  $\frac{7}{64}$ " (2.75 mm) pilot holes at all locations where screws are being installed into wood.
9. Determine and make all necessary cuts in the wall for the vent system. Install the vent system before installing the hood. See "Venting Requirements" section.
10. Determine the required height for the  $\frac{1}{2}$ " conduit and drill a  $1\frac{1}{4}$ " (3 cm) hole at this location.
11. Run wire through the  $\frac{1}{2}$ " conduit according to the National Electrical Code or CSA Standards and local codes and ordinances. There must be enough  $\frac{1}{2}$ " conduit and wires from the fused disconnect (or circuit breaker) box to make the connection in the hood's electrical terminal box.
12. Use caulk to seal all openings.  
**NOTE:** Do not turn on power until installation is complete.
13. Attach 2 mounting hooks to the wall at locations marked on the template.



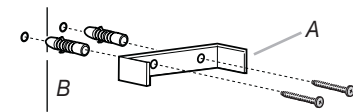
A. Mounting hooks  
B. Centerline on wall

## Vent Cover Support Bracket Installation

**Installations using telescoping upper and lower vent cover assembly.**

1. Position vent cover bracket on wall about  $\frac{1}{8}$ " (3 mm) away from the ceiling.
2. Mark the hole locations.

3. Drill  $\frac{3}{8}$ " (9.5 mm) holes for wall anchors and insert anchors flush with the wall.



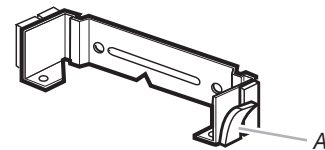
A. Vent cover support bracket  
B. Centerline on wall

4. Attach vent cover support bracket to wall.

### Installation locations with reduced ceiling heights.

For vented and non-vented (recirculating) installations, the vent hood is installed using the upper vent cover (26" [66.0 cm]) plus a  $\frac{1}{4}$ " (6.4 mm) thick wood filler.

1. For the vent cover to slide down and engage the top of the hood, the vent cover bracket must be installed  $\frac{1}{4}$ " (6.4 mm) below the ceiling.
2. The remaining space above the vent cover can be filled with a  $\frac{1}{4}$ " (6.4 mm) thick piece of plywood cut to the inside cross section of the chimney cover and finished to match the ceiling.
3. Cut the self-adhesive rubber tape supplied with the hood in 4 identical pieces. Attach two pieces of tape to each side of the support bracket.



A. Rubber tape

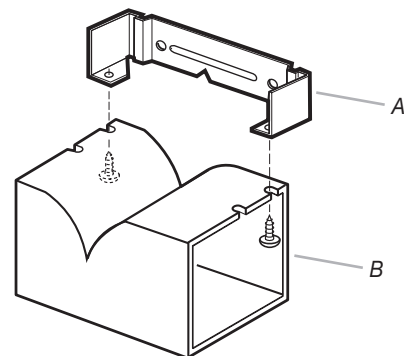
## Vent Installations

### Vented installations

Install transition on top of hood (if removed for shipping) with 2 sheet metal screws.

### Non-vented (recirculating) installations

1. Install transition on top of hood (if removed for shipping) with 2 sheet metal screws.
2. Attach the vent cover ceiling bracket to the deflector with two screws provided.



A. Vent cover support bracket  
B. Deflector

3. Connect the deflector to the transition with 6" (15.2 cm) round vent.



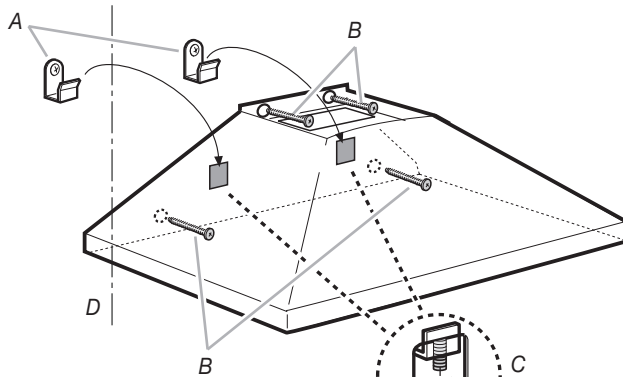
## Install Range Hood

### **⚠️ WARNING**

#### Excessive Weight Hazard

Use two or more people to move and install range hood.  
Failure to do so can result in back or other injury.

1. Hang hood on 2 mounting hooks through the rectangular cutouts on back of hood.

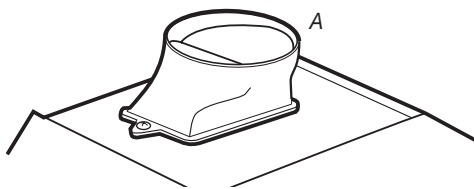


A, Mounting hooks  
B, Mounting screws  
C, Leveling screws  
D, Centerline on wall

2. Level the hood with leveling screws in mounting hooks or rectangular cutouts, using a level across bottom of hood.
3. Secure hood with 4 screws through remaining 4 holes in hood.

## Install Vent (for vented installations only)

1. Fit vent system over transition piece.



A, Transition

2. Seal connection with duct tape.

## Make Electrical Connection

### **⚠️ WARNING**



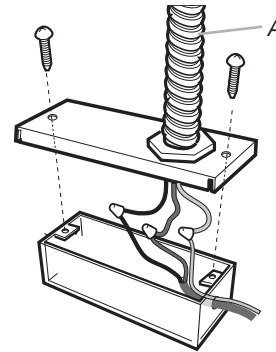
#### Electrical Shock Hazard

Disconnect power before servicing.

Replace all parts and panels before operating.

Failure to do so can result in death or electrical shock.

1. Disconnect power.
2. Remove terminal box cover.
3. Remove the knockout in terminal box cover and install the UL- or CSA-listed 1/2" conduit.
4. Run 3 wires, black, white and green (14AWG) in 1/2" conduit from service panel to terminal box.



A, Conduit

5. Use twist-on connectors and connect black wires together.
6. Use twist-on connectors and connect white wires together.

### **⚠️ WARNING**



#### Electrical Shock Hazard

Electrically ground blower.

Connect ground wire to green and yellow ground wire in terminal box.

Failure to do so can result in death or electrical shock.

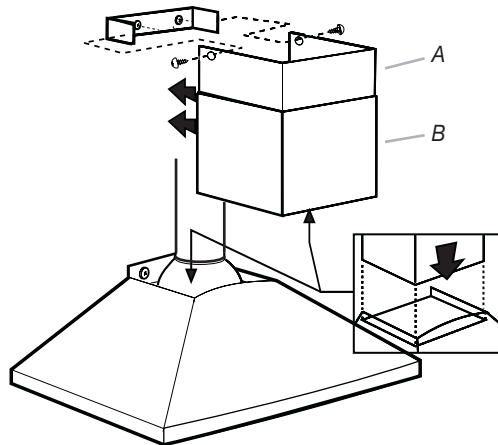
7. Use twist-on connectors and connect green or bare wire with yellow-green wire.
8. Replace terminal box cover.
9. Check all light bulbs to make sure they are secure in their sockets.
10. Reconnect power.



## Complete Installation

### 1. Install vent cover.

- When using both upper and lower vent cover, push lower cover down onto hood and lift upper cover to ceiling and install screws.

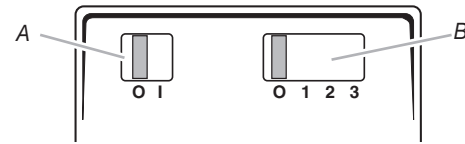


A. Upper vent cover  
B. Lower vent cover

- For reduced ceiling height installations, using the upper or lower vent cover, push cover down onto hood and snap vent into place around vent cover bracket.

## Check Operation

### 1. Check operation of the range hood by turning the power on.

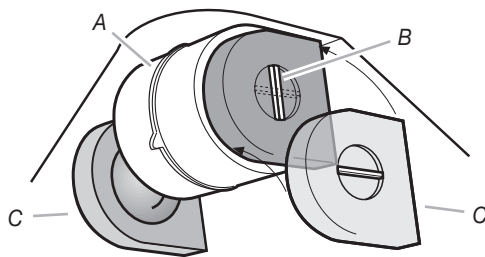


A. Light switch  
B. Blower switch

2. Move the light switch to the “1” position. The light should turn on.
3. Move the light switch to the “0” position. The light should turn off.
4. Move the blower switch to the “1” position for low speed. “2” position for medium speed. “3” position for high speed.
5. Move the blower switch to the “0” position. The blower should turn off.
6. If range hood does not operate, check that the circuit breaker has not been tripped or the house fuse blown. Disconnect power supply and check that the wiring is correct.

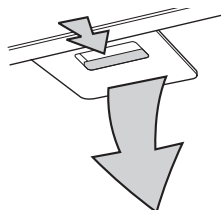
## Install Filters

1. For non-vented (recirculating) installations, install charcoal filter over grill on blower housing and turn filter handle clockwise. Repeat with other charcoal filter.



A. Blower housing  
B. Handle  
C. Charcoal filters

2. For all installations, insert back edge of metal filter into rear channel of the filter opening.
3. Push handle toward the rear and push filter up.
4. Pull filter towards the front and insert into front channel.



---

# RANGE HOOD USE

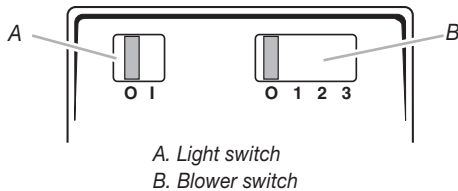
---

## Operation

The canopy hood is designed to remove smoke, cooking vapors and odors from the cooktop area. For best results, start the hood before cooking and allow it to operate several minutes after the cooking is complete to clear all smoke and odors from the kitchen.

### Hood control panel

The hood controls are located on the underside of the canopy.



### Operating the light

1. Move the light switch to the "1" position. The light should turn on.
2. Move the light switch to the "0" position. The light should turn off.

### Operating the blower

1. Move the blower switch to the "1" position for low speed. "2" position for medium speed. "3" position for high speed.
2. Move the blower switch to the "0" position. The blower should turn off.

To Replace The Metal Grease Filters:

4. Insert back edge of filter into rear channel of the filter opening.
5. Push handle toward the rear and push filter up.
6. Pull filter towards the front and insert into front channel.

### Charcoal Filters - For non-vented (recirculating) installations

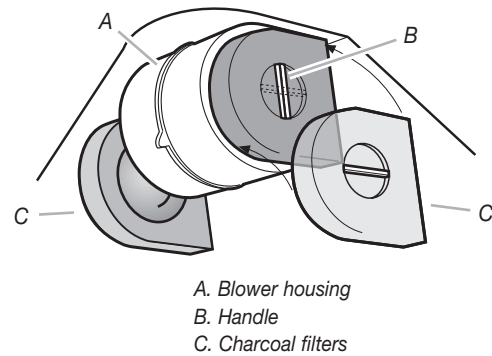
The charcoal filters are not washable nor reusable.

They should be changed every 6 months in normal use.

The charcoal filters capture unpleasant cooking odors.

### To install charcoal filters

1. Turn blower and lights off.
2. Remove the metal grease filters by pushing handle towards the rear and pull downward.
3. Pull filter towards front and set aside.
4. Repeat to remove other metal filter.
5. Install charcoal filter over grill on blower housing and turn filter handle clockwise.



6. Repeat to install other charcoal filter.

To Replace the metal grease filters:

7. Insert back edge of filter into rear channel of the filter opening.
8. Push handle toward the rear and push filter up.
9. Pull filter towards the front and insert into front channel.

### To replace charcoal filters

1. Turn blower and lights off.
2. Remove the metal grease filters by pushing handle towards the rear and pull downward.
3. Pull filter towards front and set aside.
4. Repeat to remove other filter.
5. Turn charcoal filter handle counterclockwise.
6. Remove and discard charcoal filter.
7. Repeat to remove other charcoal filter.
8. Install replacement charcoal filter over grill in blower housing and turn filter handle clockwise.
9. Repeat to install other charcoal filter.

To Replace the metal grease filters:

10. Insert back edge of filter into rear channel of the filter opening.
11. Push handle toward the rear and push filter up.
12. Pull filter towards the front and insert into front channel.

---

# RANGE HOOD CARE

---

## Cleaning and Maintenance

Be sure lights are cool before cleaning the hood.

### Exterior surfaces

Clean the range hood with a mild detergent and soft cloth. Do not use abrasive cleanser or steel wool pads.

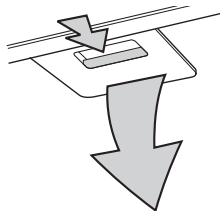
### Metal grease filters

The filters should be washed frequently. Place metal filters in dishwasher or hot detergent solution to clean.

Drain water through edge holes and let each filter dry thoroughly before replacing it.

To remove metal filters:

1. Turn blower and lights off.
2. Push handle towards the rear and pull downward.
3. Pull filter towards the front.



## Replacing a light bulb

The range hood uses 120-volt, 40W, type E12 incandescent bulbs. Before you begin, make sure that the range hood is turned off and that the bulbs have had sufficient time to cool.

1. Move light switch to the "0" (off) position.
2. Remove the metal grease filters by pushing handle towards the rear and pull downward.
3. Pull filter towards front and set aside.
4. Repeat to remove other filter.
5. Remove the light bulb(s).
6. Replace with new light bulb(s).

To Replace the metal grease filters:

5. Insert back edge of filter into rear channel of the filter opening.
6. Push handle toward the rear and push filter up.
7. Pull filter towards the front and insert into front channel.

---

## Accessories

Charcoal Filter Kit.....Part Number 4396848

---

# ASSISTANCE OR SERVICE

When calling for assistance or service, please know the purchase date and the complete model and serial number of your appliance. This information will help us to better respond to your request.

### If you need replacement parts

If you need to order replacement parts, we recommend that you use only factory specified parts. Factory specified parts will fit right and work right because they are made with the same precision used to build every new appliance. To locate factory specified replacement parts in your area, call us or your nearest designated service center.

---

### In the U.S.A.

Call the Whirlpool Customer eXperience Center toll free: **1-866-664-2449**.

#### Our consultants provide assistance with:

- Features and specifications on our full line of appliances.
- Installation information.
- Use and maintenance procedures.
- Accessory and repair parts sales.
- Specialized customer assistance (Spanish speaking, hearing impaired, limited vision, etc.).
- Referrals to local dealers, repair parts distributors, and service companies. Whirlpool designated service technicians are trained to fulfill the product warranty and provide after-warranty service, anywhere in the United States.

To locate the Whirlpool designated service company in your area, you can also look in your telephone directory Yellow Pages.

#### For further assistance

If you need further assistance, you can write to Whirlpool Corporation with any questions or concerns at:

IKEA Brand Home Appliances  
Customer eXperience Center  
553 Benson Road  
Benton Harbor, MI 49022-2692

Please include a daytime phone number in your correspondence.

---

### In Canada

Call the Whirlpool Canada LP Customer eXperience Centre toll free: **1-866-664-2449**.

#### Our consultants provide assistance with:

- Features and specifications on our full line of appliances.
- Use and maintenance procedures.
- Accessory and repair parts sales.
- Referrals to local dealers, repair parts distributors, and service companies. Whirlpool Canada LP designated service technicians are trained to fulfill the product warranty and provide after-warranty service, anywhere in Canada.

#### For further assistance

If you need further assistance, you can write to Whirlpool Canada LP with any questions or concerns at:

Customer eXperience Centre  
Whirlpool Canada LP  
1901 Minnesota Court  
Mississauga, Ontario L5N 3A7

Please include a daytime phone number in your correspondence.

---

# IKEA MAJOR APPLIANCE WARRANTY

## How long is the IKEA limited warranty valid?

This limited warranty is valid for five years from the date of purchase, when this major appliance is operated and maintained according to instructions attached to or furnished with the product, unless the appliance is named LAGAN in which case this limited warranty is valid for one year from the date of purchase. This limited warranty is valid only in the United States or Canada and applies only when the major appliance is used in the country in which it was purchased. Proof of original purchase date is required to obtain service under this limited warranty.

## Which appliances are not covered by the IKEA five (5) year limited warranty?

For major appliances named "LAGAN", this limited warranty is valid for one year from the date of purchase.

## Who will execute the service?

This limited warranty is provided by Whirlpool Corporation or Whirlpool Canada LP (hereafter "Whirlpool"). Service must be provided by a Whirlpool designated service company.

## What does this limited warranty cover?

The limited warranty will pay for factory specified parts and repair labor to correct defects in materials or workmanship that existed when the major appliance was purchased. The exceptions are specified under the headline "What is not covered under this limited warranty?".

## What will be done to correct the problem?

The designated service company will examine the product and decide, at its sole discretion, if it is covered under this limited warranty. If considered covered, the designated service company will then repair the defect. Your sole and exclusive remedy under this limited warranty shall be product repair as provided herein.

## What is not covered under this limited warranty?

- Service calls to correct the installation of your major appliance, to instruct you on how to use your major appliance, to replace or repair house fuses, or to correct house wiring or plumbing.
- Service calls to repair or replace appliance light bulbs, air filters or water filters. Consumable parts are excluded from warranty coverage.
- Replacement parts or repair labor if this major appliance is used for other than normal, single-family household use or when it is used in a manner that is inconsistent to published user or operator instructions and/or installation instructions.
- Damage resulting from accident, alteration, misuse, abuse, fire, flood, acts of God, improper installation, installation not in accordance with electrical or plumbing codes, or use of consumables or cleaning products not approved for use.
- Cosmetic damage, including scratches, dents, chips or other damage to the finish of your major appliance, unless such damage results from defects in materials or workmanship and is reported within 30 days from the date of purchase.
- Any food loss or medicine loss due to refrigerator or freezer product failures.
- Pick up and delivery. This major appliance is intended to be repaired in your home.
- Repairs to parts or systems resulting from unauthorized modifications made to the appliance.
- Expenses for travel and transportation for product service if your major appliance is located in a remote area where service by an authorized servicer is not available.
- The removal and reinstallation of your major appliance if it is installed in an inaccessible location or is not installed in accordance with published installation instructions.
- Replacement parts or repair labor on major appliances with original model/serial numbers that have been removed, altered or cannot be easily determined.

The cost of repair or replacement under these excluded circumstances shall be borne by the customer.

## Disclaimer of Implied Warranties

IMPLIED WARRANTIES, INCLUDING ANY IMPLIED WARRANTY OF MERCHANTABILITY OR IMPLIED WARRANTY OF FITNESS FOR A PARTICULAR PURPOSE, ARE LIMITED TO FIVE YEARS (ONE YEAR FOR MAJOR APPLIANCES NAMED "LAGAN") OR THE SHORTEST PERIOD ALLOWED BY LAW. Some states and provinces do not allow limitations on the duration of implied warranties of merchantability or fitness, so this limitation may not apply to you. This warranty gives you specific legal rights, and you also may have other rights that vary from state to state or province to province.

## Limitation of Remedies; Exclusion of Incidental and Consequential Damages

YOUR SOLE AND EXCLUSIVE REMEDY UNDER THIS LIMITED WARRANTY SHALL BE PRODUCT REPAIR AS PROVIDED HEREIN. WHIRLPOOL SHALL NOT BE LIABLE FOR INCIDENTAL OR CONSEQUENTIAL DAMAGES. Some states and provinces do not allow the exclusion or limitation of incidental or consequential damages, so these limitations and exclusions may not apply to you. This warranty gives you specific legal rights, and you also may have other rights that vary from state to state or province to province.

## How to reach us if you need our service

If outside the 50 United States and Canada, contact your authorized IKEA retailer to determine if another warranty applies.

If you need service, please read the Installation Instructions and/or the "Troubleshooting" section of the Use & Care Guide before contacting us. If you need additional help, do not hesitate to contact us in the U.S.A. and Canada at **1-866-664-2449**.

2/09

**Keep this book and your sales slip together for future reference. You must provide proof of purchase or installation date for in-warranty service.**

Write down the following information about your major appliance to better help you obtain assistance or service if you ever need it. You will need to know your complete model number and serial number. You can find this information on the model and serial number label located on the product.

Dealer name \_\_\_\_\_

Address \_\_\_\_\_

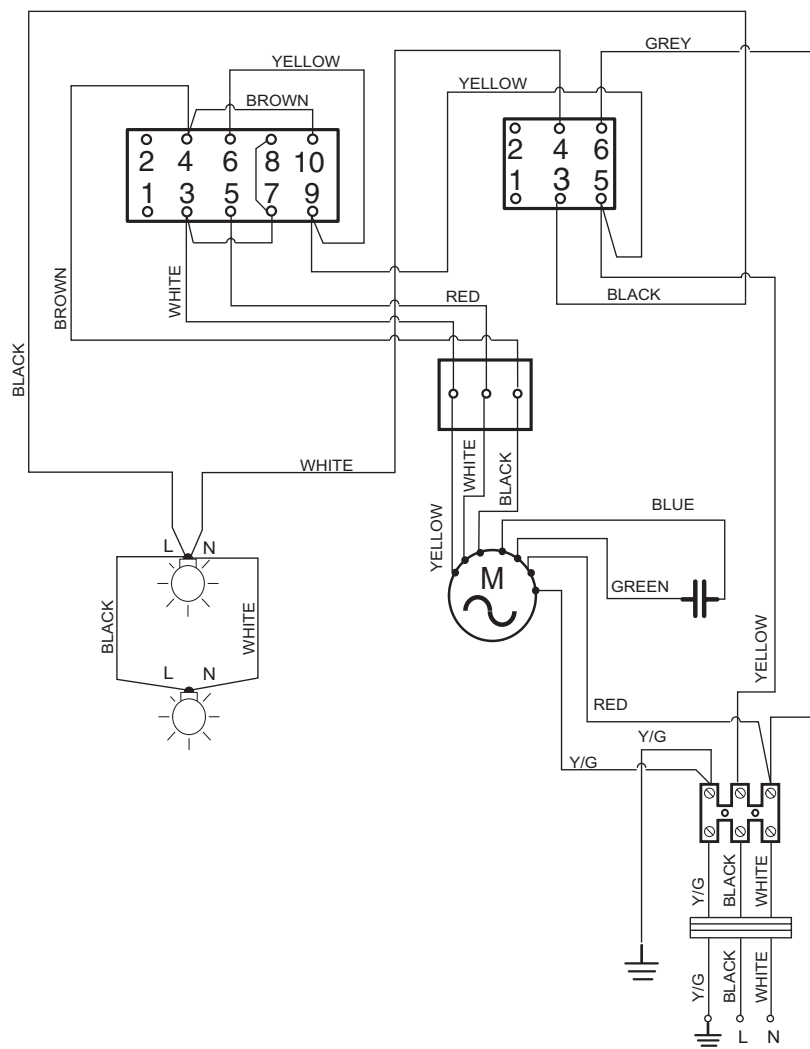
Phone number \_\_\_\_\_

Model number \_\_\_\_\_

Serial number \_\_\_\_\_

Purchase date \_\_\_\_\_

## WIRING DIAGRAM



# SÉCURITÉ DE LA HOTTE DE CUISINIÈRE

## Votre sécurité et celle des autres est très importante.

Nous donnons de nombreux messages de sécurité importants dans ce manuel et sur votre appareil ménager. Assurez-vous de toujours lire tous les messages de sécurité et de vous y conformer.



Voici le symbole d'alerte de sécurité.

Ce symbole d'alerte de sécurité vous signale les dangers potentiels de décès et de blessures graves à vous et à d'autres.

Tous les messages de sécurité suivront le symbole d'alerte de sécurité et le mot "DANGER" ou "AVERTISSEMENT". Ces mots signifient :

**⚠ DANGER**

**Risque possible de décès ou de blessure grave si vous ne suivez pas immédiatement les instructions.**

**⚠ AVERTISSEMENT**

**Risque possible de décès ou de blessure grave si vous ne suivez pas les instructions.**

Tous les messages de sécurité vous diront quel est le danger potentiel et vous disent comment réduire le risque de blessure et ce qui peut se produire en cas de non-respect des instructions.

# IMPORTANTES INSTRUCTIONS DE SÉCURITÉ

**AVERTISSEMENT : POUR RÉDUIRE LE RISQUE D'INCENDIE, CHOC ÉLECTRIQUE OU DOMMAGES CORPORELS, RESPECTER LES INSTRUCTIONS SUIVANTES :**

- Utiliser cet appareil uniquement dans les applications envisagées par le fabricant. Pour toute question, contacter le fabricant.
- Avant d'entreprendre un travail d'entretien ou de nettoyage, interrompre l'alimentation de la hotte au niveau du tableau de disjoncteurs, et verrouiller le tableau de disjoncteurs pour empêcher tout rétablissement accidentel de l'alimentation du circuit. Lorsqu'il n'est pas possible de verrouiller le tableau de disjoncteurs, placer sur le tableau de disjoncteurs une étiquette d'avertissement proéminente interdisant le rétablissement de l'alimentation.
- Tout travail d'installation ou câblage électrique doit être réalisé par une personne qualifiée, dans le respect des prescriptions de tous les codes et normes applicables, y compris les codes du bâtiment et de protection contre les incendies.
- Une source d'air de débit suffisant est nécessaire pour le fonctionnement correct de tout appareil à gaz (combustion et évacuation des gaz à combustion par la cheminée), pour qu'il n'y ait pas de reflux des gaz de combustion. Respecter les directives du fabricant de l'équipement de chauffage et les prescriptions des normes de sécurité - comme celles publiées par la National Fire Protection Association (NFPA) et l'American Society for Heating, Refrigeration and Air Conditioning Engineers (ASHRAE), et les prescriptions des autorités réglementaires locales.
- Lors d'opérations de découpage et de perçage dans un mur ou un plafond, veiller à ne pas endommager les câblages électriques ou canalisations qui peuvent s'y trouver.
- Les systèmes d'évacuation doivent toujours décharger l'air à l'extérieur.

**MISE EN GARDE :** Cet appareil est conçu uniquement pour la ventilation générale. Ne pas l'utiliser pour l'extraction de matières ou vapeurs dangereuses ou explosives.

**MISE EN GARDE :** Pour minimiser le risque d'incendie et évacuer adéquatement les gaz, veiller à acheminer l'air aspiré par un conduit jusqu'à l'extérieur - ne pas décharger l'air aspiré dans un espace vide du bâtiment comme une cavité murale, un plafond, un grenier, un vide sanitaire ou un garage.

**AVERTISSEMENT :** POUR RÉDUIRE LE RISQUE D'INCENDIE, UTILISER UNIQUEMENT DES CONDUITS MÉTALLIQUES.

**AVERTISSEMENT :** POUR MINIMISER LE RISQUE D'UN FEU DE GRAISSE SUR LA CUISINIÈRE :

- Ne jamais laisser un élément de surface fonctionner à puissance de chauffage maximale sans surveillance. Un renversement/débordement de matière grasseuse pourrait provoquer une inflammation et la génération de fumée. Utiliser une puissance de chauffage moyenne ou basse pour le chauffage d'huile.
- Veiller à toujours faire fonctionner le ventilateur de la hotte lors de la cuisson avec une puissance de chauffage élevée ou lors de la cuisson d'un mets à flamber (à savoir crêpes Suzette, cerise jubilé, steak au poivre flambé).
- Nettoyer fréquemment les ventilateurs d'extraction. Veiller à ne pas laisser la graisse s'accumuler sur les surfaces du ventilateur ou des filtres.
- Utiliser toujours un ustensile de taille appropriée. Utiliser toujours un ustensile adapté à la taille de l'élément chauffant.

**AVERTISSEMENT:** POUR RÉDUIRE LE RISQUE DE DOMMAGES CORPORELS APRÈS LE DÉCLENCHEMENT D'UN FEU DE GRAISSE SUR LA CUISINIÈRE, APPLIQUER LES RECOMMANDATIONS SUIVANTES :<sup>a</sup>

- Placer sur le récipient un couvercle bien ajusté, une tôle à biscuits ou un plateau métallique **POUR ÉTOUFFER LES FLAMMES**, puis éteindre le brûleur à gaz ou électrique. **VEILLER À ÉVITER LES BRÛLURES.** Si les flammes ne s'éteignent pas immédiatement, **ÉVACUER LA PIÈCE ET APPELER LES POMPIERS.**
- **NE JAMAIS PRENDRE EN MAIN UN RÉCIPENT ENFLAMMÉ** - vous risquez de vous brûler.
- **NE PAS UTILISER D'EAU**, ni un torchon humide - ceci pourrait provoquer une explosion de vapeur brûlante.
- Utiliser un extincteur **SEULEMENT** si :
  - Il s'agit d'un extincteur de classe ABC, dont on connaît le fonctionnement.
  - Il s'agit d'un petit feu encore limité à l'endroit où il s'est déclaré.
  - Les pompiers ont été contactés.
  - Il est possible de garder le dos orienté vers une sortie pendant l'opération de lutte contre le feu.

<sup>a</sup>Recommandations tirées des conseils de sécurité en cas d'incendie de cuisine publiés par la NFPA.

- **AVERTISSEMENT :** Pour réduire le risque d'incendie ou de choc électrique, ne pas utiliser ce ventilateur avec un quelconque dispositif de réglage de la vitesse à semi-conducteurs.

## CONSERVEZ CES INSTRUCTIONS



# EXIGENCES D'INSTALLATION

## Outillage et pièces

Rassembler les outils et pièces nécessaires avant de commencer l'installation. Lire et suivre les instructions fournies avec les outils indiqués ici.

### Outillage nécessaire :

- niveau
- perceuse avec forets de 1 1/4" (3,2 cm), 3/8" (9,5 mm), 7/64" (2,75 mm) et 1/8" (3 mm)
- crayon
- pince à dénuder ou couteau utilitaire
- mètre-ruban ou règle
- pince
- pistolet de calfeutrage et composé de calfeutrage résistant à l'eau
- ruban adhésif pour conduits
- scie sauteuse ou scie à guichet
- tournevis à lame plate
- cisaille de ferblantier
- tournevis Phillips

### Pièces nécessaires :

- conduit 1 x 1/2"
- 1 bouche de décharge (pour toit ou mur)
- circuit d'évacuation - conduit métallique
- 2 filtres à charbon - pour installation sans décharge à l'extérieur (recyclage) seulement

### Pièces fournies :

Retirer les pièces de l'emballage; vérifier la présence de toutes les pièces.

- auvent de hotte avec ventilateur et lampes installés
- déflecteur pour installation sans décharge à l'extérieur (recyclage)
- raccord de transition en plastique avec clapet anti-reflux installé
- Instructions d'installation et Guide d'utilisation et d'entretien
- filtre(s) - format adéquat selon le modèle et la taille
- vis et ancrages pour panneaux de gypse
- 2 crochets de montage
- bride de support du cache-conduit
- gabarit de montage
- cache-conduit (2 sections)
- ruban adhésif (caoutchouc)

## Exigences d'emplacement

**IMPORTANT :** Observer les dispositions de tous les codes et règlements en vigueur.

Installer la hotte d'extraction à distance de toute zone exposée à des courants d'air telle que fenêtres, portes et bouches de chauffage.

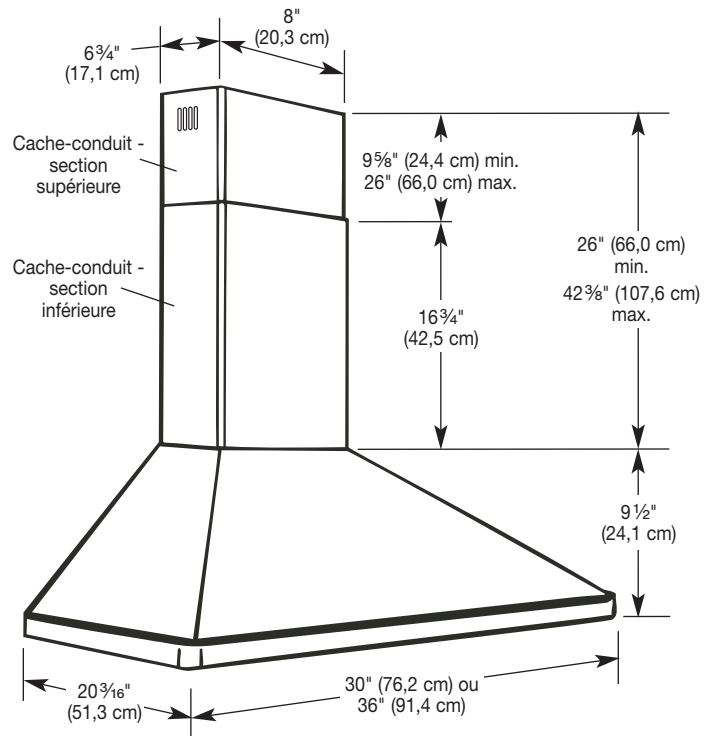
Respecter les dimensions indiquées pour les ouvertures à découper dans les placards. Les dimensions indiquées prennent en compte les valeurs minimales des dégagements de séparation nécessaires.

On doit disposer d'une prise de courant électrique reliée à la terre. Voir la section "Spécifications électriques".

La hotte d'extraction a été configurée à l'usine pour la décharge à travers le toit ou le mur. Pour une installation sans décharge à l'extérieur (recyclage), voir "Installation sans décharge à l'extérieur (recyclage)", à la section "Préparation de l'emplacement de montage".

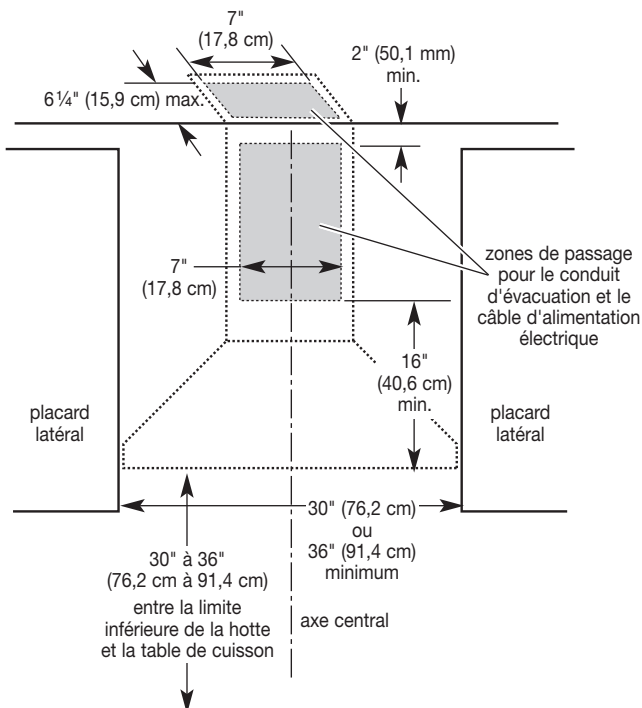
On devra assurer l'étanchéité de toutes les ouvertures (plafond et mur) découpées pour l'installation de la hotte.

## Dimensions du produit



**NOTE :** Pour une configuration d'installation avec hauteur sous plafond réduite (avec décharge à l'extérieur ou sans décharge à l'extérieur) on n'utilise que la section supérieure du cache-conduit, de 26" (66 cm).

## E spacements d'installation



## Exigences concernant l'évacuation

- Le circuit d'évacuation de l'air doit se terminer à l'extérieur.
- Ne pas terminer le circuit d'évacuation dans un espace fermé (grenier ou autre).
- Ne pas utiliser une bouche de décharge murale de 4" (10,2 cm), du type utilisé pour un appareil de buanderie.
- Utiliser uniquement du conduit métallique. On recommande l'emploi de conduit rigide. Ne pas utiliser de conduit de plastique ou de métal très mince.

### Pour obtenir un fonctionnement efficace et silencieux :

- Utiliser autant que possible des sections droites et minimiser le nombre de coudes.
- Ne pas utiliser plus de trois coudes à 90°.
- Veiller à ce qu'il y ait une section droite de conduit de 24" (61 cm) ou plus entre deux coudes, si on doit utiliser plus de un raccord coudé.
- Ne pas connecter ensemble deux raccords coudés.
- Assurer l'étanchéité de chaque jointure du circuit d'évacuation avec du ruban adhésif pour conduit.
- Utiliser un calfeutrant pour assurer l'étanchéité autour de la bouche de décharge à l'extérieur, entre le conduit et l'ouverture à travers le toit ou le mur.

### Installation dans une région à climat froid

Il convient d'installer un clapet anti-reflux additionnel pour minimiser les reflux d'air froid, et d'installer au sein du circuit d'évacuation un matériau non métallique (isolant thermique) pour minimiser la conduction de chaleur entre l'extérieur et l'intérieur de la maison. Par rapport à l'isolant thermique, le clapet anti-reflux devrait être situé du côté froid.

L'isolant thermique doit être placé aussi près que possible de l'endroit où le circuit d'évacuation pénètre dans la partie chauffée de la maison.

## Air d'appoint

Le code du bâtiment local peut exiger l'utilisation d'un système d'introduction d'air d'appoint dans le cas où la capacité d'extraction (pieds cubes d'air par minute) de la hotte est supérieure à une valeur spécifiée. La valeur spécifiée (débit d'air, en pieds cubes par minute) est variable d'une juridiction à une autre. Pour déterminer les exigences spécifiques, consulter un professionnel local des installations de chauffage et climatisation.

## Méthodes d'évacuation

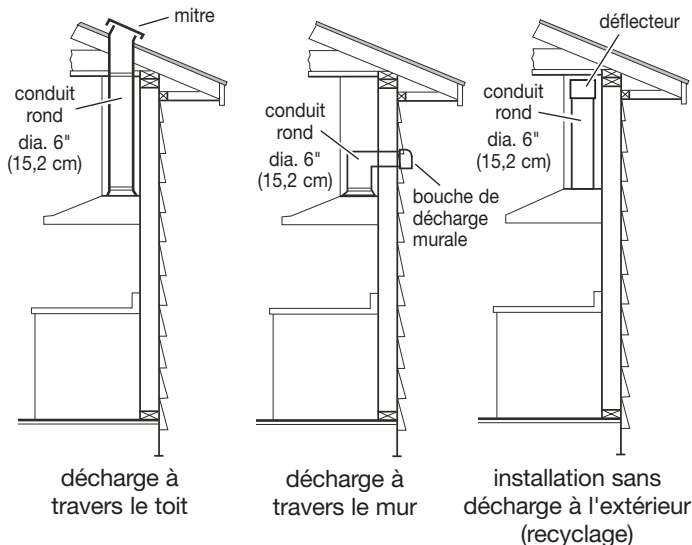
Cette hotte d'extraction a été configurée à l'usine pour la décharge à travers le toit ou le mur.

Pour l'installation, un circuit d'évacuation constitué de conduit rond de diamètre 6" (15,2 cm) (non fourni) est nécessaire. L'orifice de sortie de la hotte est circulaire (diam. 6" - 15,2 cm).

**NOTE :** On déconseille l'emploi de conduit flexible. Un conduit flexible peut susciter une rétro-pression et des turbulences de l'air, ce qui réduit considérablement la performance.



La décharge de l'air aspiré peut être effectuée à travers le mur ou le toit. Pour la décharge à travers le mur, on doit utiliser un raccord coudé (90°).

Pour une installation sans décharge à l'extérieur (recyclage), voir "Installation sans décharge à l'extérieur (recyclage)", à la section "Préparation de l'emplacement".

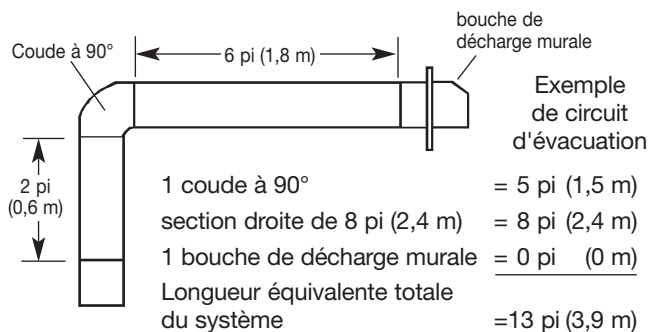


## Calcul de la longueur effective du circuit d'évacuation

Pour calculer la longueur effective du circuit d'évacuation nécessaire, ajouter les longueurs équivalentes (pieds/mètres) de tous les composants utilisés dans le système.

Composant du circuit	Conduit rond dia. 6" (15,2 cm)
Coude à 45°	2,5 pi (0,8 m) 
Coude à 90°	5,0 pi (1,5 m) 

La longueur équivalente du circuit ne doit pas dépasser 35 pieds (10,7 mètres).



## Spécifications électriques

### **⚠ AVERTISSEMENT**



#### Risque de choc électrique

**Déconnecter la source de courant électrique avant l'entretien.**

**Replacer pièces et panneaux avant de faire la remise en marche.**

**Le non-respect de ces instructions peut causer un décès ou un choc électrique.**

**IMPORTANT :** La hotte doit être correctement reliée à la terre en conformité avec les codes et règlements locaux en vigueur, ou en l'absence d'un tel code, conformément aux prescriptions de la plus récente édition du National Electrical Code, ANSI/NFPA 70, ou du Code canadien des installations électriques, CSA C22.1.

Si les codes en vigueur le permettent et si on utilise un conducteur distinct de liaison à la terre, il est recommandé qu'un électricien qualifié vérifie la qualité de la liaison à la terre.

Pour obtenir un exemplaire des codes mentionnés ci-dessus, contacter :

National Fire Protection Association  
One Batterymarch Park, Quincy, MA 02269

CSA International  
8501 East Pleasant Valley Road  
Cleveland, Ohio 44131-5575

- L'appareil doit être alimenté par un circuit de 120 V CA, 60 Hz, CA seulement, 15 ampères, protégé par fusible. On recommande également d'utiliser un fusible ou un disjoncteur temporisé. Il est recommandé d'alimenter la hotte par un circuit distinct qui n'alimente que cet appareil.
- Ne pas utiliser une tuyauterie de gaz pour le raccordement à la terre.
- En cas de doute quant à la qualité de la liaison à la terre de la hotte, consulter un électricien qualifié.
- Ne pas installer un fusible dans le conducteur neutre ou dans le conducteur de liaison à la terre.
- La hotte doit être raccordée au réseau électrique uniquement avec des conducteurs de cuivre.
- La hotte de cuisinière doit être reliée directement au tableau de distribution (coupe-circuit avec fusibles ou disjoncteurs) par un câble blindé flexible ou un conduit métallique flexible.
- La taille des conducteurs doit satisfaire aux prescriptions de la plus récente édition du National Electrical Code, ANSI/NFPA 70, ou du Code canadien des installations électriques, normes CSA C22.1-94 et C22.2 n° 0-M91, et aux prescriptions de tous les codes et règlements locaux en vigueur.

# INSTRUCTIONS D'INSTALLATION

## Préparation de l'emplacement

- On ne doit couper un poteau de colombage ou une solive que si c'est absolument nécessaire. S'il est nécessaire de couper un poteau ou une solive, on devra construire une structure de support appropriée.
- Avant d'exécuter les découpages, vérifier la disponibilité d'un espace de passage suffisant dans le plafond ou le mur pour le conduit d'évacuation.
- Nous recommandons que la hotte soit installée à 30"-36" (76,2 cm - 94,1 cm) au-dessus du plan de travail.
- Avant de sélectionner la hotte à installer, mesurer la hauteur libre sous plafond et la hauteur maximum disponible pour la hotte.

## **AVERTISSEMENT**

### Risque du poids excessif

Utiliser deux ou plus de personnes pour déplacer et installer la cuisinière.

Le non-respect de cette instruction peut causer une blessure au dos ou d'autre blessure.

1. Si c'est possible, débrancher et déplacer la cuisinière (cuisinière autonome ou encastrée); retirer la cuisinière de son espace d'installation entre les placards pour faciliter l'accès au mur arrière. Si ce n'est pas possible, placer un épais matériau de protection sur le plan de travail et la table de cuisson ou la cuisinière, pour la protection contre des dommages et contre les souillures.
2. Sélectionner une surface plane pour l'assemblage de la hotte. Recouvrir cette surface avec un matériau de protection.

## **AVERTISSEMENT**

### Risque du poids excessif

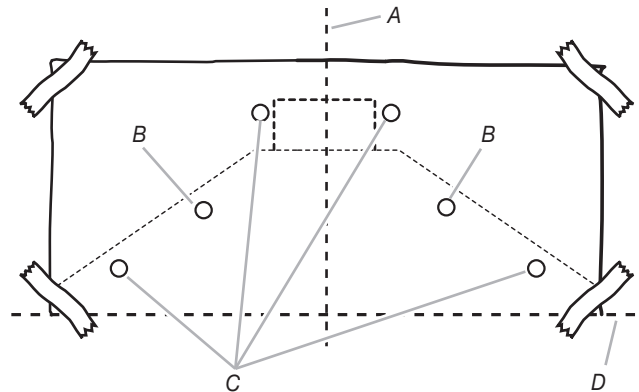
Utiliser deux ou plus de personnes pour déplacer et installer la hotte de la cuisinière.

Le non-respect de cette instruction peut causer une blessure au dos ou d'autre blessure.

3. Pour l'opération de levage de la hotte (pour la placer sur la surface de travail protégée), faire intervenir 2 personnes ou plus.
4. Déterminer la position appropriée et marquer l'axe central de la hotte sur le mur, à l'endroit où la hotte sera installée.
5. Sélectionner une hauteur de montage entre 30" et 36" (76,2 cm et 94,1 cm) au-dessus de la cuisinière (entre la cuisinière et la rive inférieure de la hotte). Marquer cette ligne de référence sur le mur.

**NOTE :** Lorsque la hauteur libre sous plafond à l'emplacement d'installation est réduite, il est possible d'utiliser le cache-conduit plus court pour l'installation de la hotte - pour une installation avec conduit d'évacuation et une installation sans décharge à l'extérieur (recyclage).

6. Fixer le gabarit avec du ruban adhésif - aligner l'axe central du gabarit et le bas du gabarit avec les lignes correspondantes tracées sur le mur (bas de la hotte et axe central).



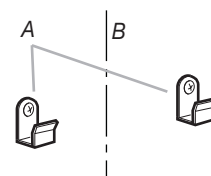
A. Axe central

B. Position de montage pour crochets

C. Position pour organes de fixation

D. Ligne de référence - position selon la hauteur de montage

7. À travers le gabarit, marquer sur le mur la position des 6 organes de fixation.  
**IMPORTANT :** Il faut qu'au moins deux des vis de fixation soient ancrées dans du bois.  
Enlever le gabarit.
8. Percer un avant-trou de  $\frac{7}{64}$ " (2,75 mm) à chaque emplacement de pose d'une vis dans le bois.
9. Pour le passage du circuit d'évacuation, déterminer les emplacements appropriés, et réaliser les ouvertures nécessaires dans le mur. Installer le circuit d'évacuation avant d'installer la hotte. Voir la section "Exigences concernant l'évacuation".
10. Déterminer la hauteur nécessaire pour le conduit de  $\frac{1}{2}$ "; percer un trou de  $\frac{1}{4}$ " (3,2 cm) à cet endroit.
11. Installer les conducteurs nécessaires dans le conduit de  $\frac{1}{2}$ " - respecter les prescriptions du Code national de l'électricité ou de la norme CSA en vigueur, ou des codes et règlements locaux en vigueur. Il faut que la longueur des conducteurs et du conduit de  $\frac{1}{2}$ " soit suffisante pour qu'il soit possible de réaliser la liaison entre le tableau de distribution et les connexions dans la boîte de connexion de la hotte.
12. Utiliser un calfeutrant pour assurer l'étanchéité au niveau de chaque ouverture.  
**NOTE :** Ne pas mettre le système sous tension avant d'avoir complètement terminé l'installation.
13. Fixer 2 crochets de montage sur le mur aux emplacements marqués sur le gabarit.



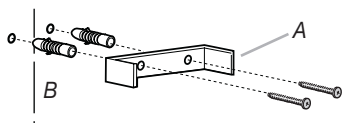
A. Crochets de montage

B. Axe central tracé sur le mur

## Installation de la bride de cache-conduit

### Configuration d'installation avec cache-conduit à sections supérieure et inférieure télescopiques.

1. Positionner la bride de fixation du cache-conduit sur le mur à environ  $\frac{1}{8}$ " (3 mm) du plafond.
2. Marquer la position des trous.
3. Percer des trous de  $\frac{3}{8}$ " (9,5 mm) pour les organes d'ancrage et insérer les chevilles - placer les chevilles en affleurement avec le mur.
4. Fixer sur le mur la bride de fixation du cache-conduit.

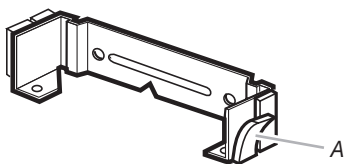


A. Bride de fixation du cache-conduit  
B. Axe central tracé sur le mur

### Configuration d'installation avec hauteur sous plafond réduite.

Pour une installation sans décharge à l'extérieur (recyclage), lors de l'installation de la hotte on n'utilise que la section supérieure du cache-conduit (de 26" - 66 cm), plus une pièce de bois de  $\frac{1}{4}$ " (6,4 mm).

1. Pour que le cache-conduit puisse glisser vers le bas et s'engager au sommet de la hotte, il faut que la bride de fixation du cache-conduit soit montée à  $\frac{1}{4}$ " (6,4 mm) au-dessous du plafond.
2. L'espace résiduel au-dessus du cache-conduit peut être obturé à l'aide d'une pièce de contreplaqué de  $\frac{1}{4}$ " (6,4 mm), configurée selon la forme du profil interne du couvre-cheminée; il suffira ensuite de réaliser une finition assortie à celle du plafond.
3. Couper le ruban adhésif de caoutchouc fourni avec la hotte, en 4 sections identiques. Apposer deux sections de ruban adhésif sur chaque côté de la bride de fixation au plafond.



A. Ruban adhésif (caoutchouc)

## Installation du circuit d'évacuation

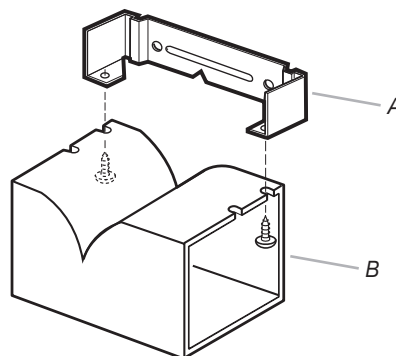
### Installation avec décharge à l'extérieur

Installer le raccord de transition au sommet de la hotte (s'il a été enlevé pour expédition), avec 2 vis de tôlerie.

### Installation sans décharge à l'extérieur (recyclage)

1. Installer le raccord de transition au sommet de la hotte (s'il a été enlevé pour expédition), avec 2 vis de tôlerie.

2. Fixer la bride de fixation au plafond du cache-conduit sur le déflecteur, avec deux vis fournies.



A. Bride de support du cache-conduit  
B. Déflecteur

3. Connecter le déflecteur au raccord de transition avec orifice de sortie de diamètre 6" (15,2 cm).

## Installation de la hotte de cuisinière

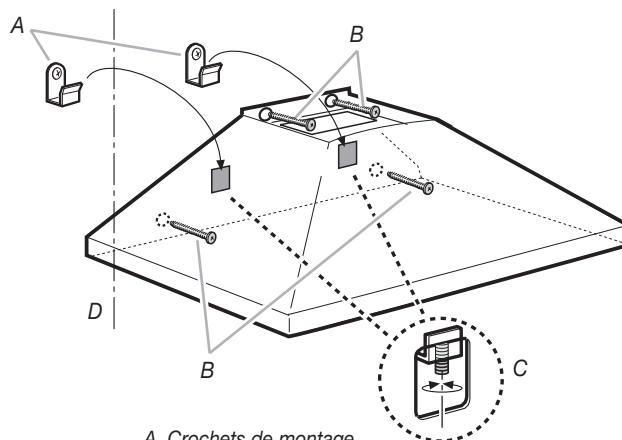
### ⚠ AVERTISSEMENT

#### Risque du poids excessif

Utiliser deux ou plus de personnes pour déplacer et installer la hotte de la cuisinière.

Le non-respect de cette instruction peut causer une blessure au dos ou d'autre blessure.

1. Suspendre la hotte aux deux crochets de montage, à travers les orifices rectangulaires à l'arrière de la hotte.

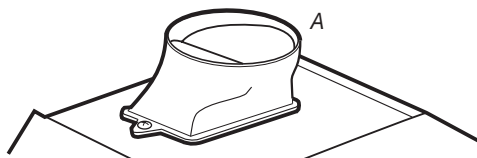


A. Crochets de montage  
B. Vis de montage  
C. Vis de réglage de l'aplomb  
D. Axe central sur le mur

2. Établir l'aplomb de la hotte - utiliser les vis de réglage de l'aplomb dans les crochets de montage ou les ouvertures rectangulaires; placer un niveau en travers du bas de la hotte pour le contrôle.
3. Immobiliser la hotte avec 4 vis placées dans les 4 trous restants de la hotte.

## Installation du conduit d'évacuation (seulement pour installation avec décharge à l'extérieur)

1. Connecter le circuit d'évacuation sur le raccord de transition.



A. Raccord de transition

2. Assurer l'étanchéité avec du ruban adhésif pour conduit.

## Raccordement électrique

### ⚠ AVERTISSEMENT



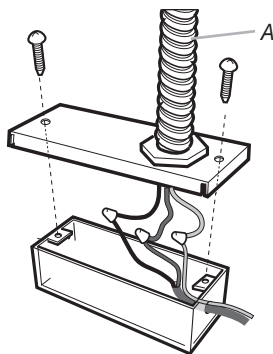
#### Risque de choc électrique

Déconnecter la source de courant électrique avant l'entretien.

Replacer pièces et panneaux avant de faire la remise en marche.

Le non-respect de ces instructions peut causer un décès ou un choc électrique.

1. Déconnecter la source de courant électrique.
2. Ôter le couvercle de la boîte de connexion.
3. Dans le couvercle de la boîte de connexion, ôter l'opercule arrachable et installer le conduit de 1/2" (homologation UL ou CSA).
4. Installer 3 conducteurs dans le conduit de 1/2" (conducteurs noir, blanc et vert, de calibre AWG 14) depuis le tableau de distribution jusqu'à la boîte de connexion.



A. Conduit

5. Connecter les conducteurs noirs ensemble - utiliser un connecteur de fils à vis.
6. Connecter les conducteurs blancs ensemble - utiliser un connecteur de fils à vis.

### ⚠ AVERTISSEMENT



#### Risque de choc électrique

Relier le ventilateur à la terre.

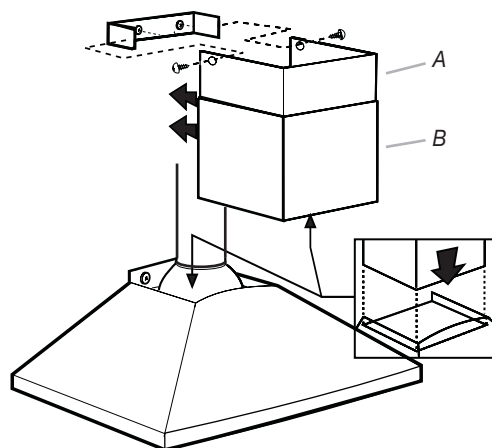
Brancher le fil relié à la terre au fil vert et jaune relié à la terre dans la boîte de la borne.

Le non-respect de ces instructions peut causer un décès ou un choc électrique.

7. Connecter ensemble le conducteur vert ou nu de liaison à la terre et le conducteur jaune-vert - utiliser un connecteur de fils à vis.
8. Réinstaller le couvercle sur la boîte de connexion.
9. Contrôler chaque lampe - vérifier que chaque lampe est bien fixée dans sa douille.
10. Reconnecter la source de courant électrique.

## Achever l'installation

1. Installer le cache-conduit.
  - Pour une configuration d'installation avec utilisation des deux sections du cache-conduit, insérer la section inférieure du conduit dans la hotte et pousser la section supérieure du cache-conduit jusqu'au plafond; installer les vis.



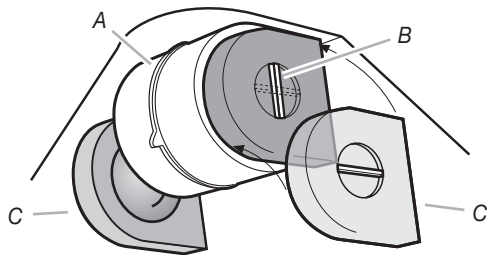
A. Section supérieure du cache-conduit  
B. Section inférieure du cache-conduit

- Pour une configuration d'installation avec hauteur sous plafond réduite, et utilisation de la section inférieure ou supérieure du cache-conduit, pousser le cache-conduit vers le bas sur la hotte, et emboîter le cache-conduit en place autour de la bride du cache-conduit.



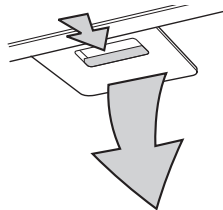
## Installation des filtres

1. Pour une installation sans décharge à l'extérieur (recyclage), installer le filtre à charbon sur le carter du ventilateur; faire tourner la manette du filtre dans le sens horaire. Répéter ceci pour chaque autre filtre à charbon.



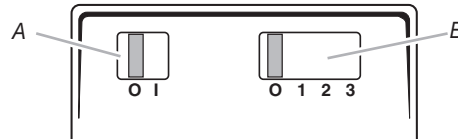
A. Carter du ventilateur  
B. Manette  
C. Filtres à charbon

2. Quelle que soit la configuration d'installation, insérer le bord arrière du filtre métallique dans la rainure arrière de l'ouverture d'installation du filtre.
3. Pousser la manette vers l'arrière et pousser le filtre vers le haut.
4. Tirer le filtre vers l'avant et insérer le filtre dans la rainure avant.



## Contrôle du fonctionnement

1. Pour contrôler le fonctionnement de la hotte, rétablir l'alimentation électrique.



A. Commutateur d'éclairage  
B. Commutateur du ventilateur

2. Pousser le commutateur d'éclairage à la position "1". La lampe devrait s'allumer.
3. Pousser le commutateur d'éclairage à la position "0". La lampe devrait s'éteindre.
4. Placer le commutateur du ventilateur à la position "1" pour le fonctionnement à basse vitesse, à la position "2" pour le fonctionnement à vitesse moyenne, ou à la position "3" pour le fonctionnement à haute vitesse.
5. Placer le commutateur du ventilateur à la position "0". Le ventilateur devrait cesser de fonctionner.
6. Si la hotte ne fonctionne pas, déterminer si le circuit est correctement alimenté (disjoncteur ouvert ou fusible grillé?). Déconnecter la source de courant électrique, et vérifier que le câblage est correct.



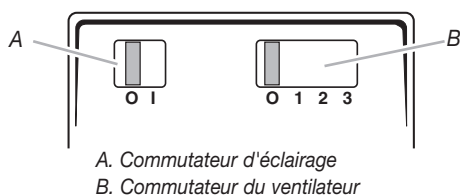
# UTILISATION DE LA HOTTE DE CUISINIÈRE

## Fonctionnement

La hotte est conçue pour extraire fumée, vapeurs de cuisson et odeurs au-dessus de la table de cuisson. Pour obtenir les meilleurs résultats, mettre le ventilateur de la hotte en marche avant d'entreprendre une cuisson, et laisser le ventilateur fonctionner pendant plusieurs minutes après l'achèvement d'une cuisson pour pouvoir évacuer de la cuisine toute trace d'odeur de cuisson, vapeur ou fumée.

### Tableau de commande de la hotte

Les commandes de la hotte sont situées sur la face inférieure de la hotte.



### Fonctionnement de la lampe d'éclairage

1. Pousser le commutateur d'éclairage à la position "1". La lampe devrait s'allumer.
2. Pousser le commutateur d'éclairage à la position "0". La lampe devrait s'éteindre.

### Fonctionnement du ventilateur

1. Placer le commutateur du ventilateur à la position "1" pour le fonctionnement à basse vitesse, à la position "2" pour le fonctionnement à vitesse moyenne, ou à la position "3" pour le fonctionnement à haute vitesse.
2. Placer le commutateur du ventilateur à la position "0". Le ventilateur devrait cesser de fonctionner.

# ENTRETIEN DE LA HOTTE DE CUISINIÈRE

## Nettoyage et entretien

Avant toute opération de nettoyage de la hotte, vérifier que les lampes ont refroidi.

### Surfaces externes

Nettoyer la hotte avec un détergent doux et un chiffon doux. Ne pas utiliser un produit de nettoyage abrasif ou un tampon de laine d'acier.

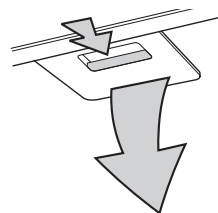
### Filtres à graisse métalliques

Laver fréquemment les filtres à graisse. Placer les filtres à graisse métalliques dans un lave-vaisselle ou une solution de détergent chaude.

Drainer l'eau par les trous des bords, et laisser chaque filtre sécher complètement avant de le réinstaller.

Dépose des filtres à graisse métalliques :

1. Commander l'arrêt du ventilateur et l'extinction des lampes.
2. Pousser la manette vers l'arrière et tirer vers le bas.
3. Tirer le filtre vers l'avant.



Réinstallation des filtres à graisse métalliques :

4. Insérer le bord arrière du filtre métallique dans la rainure arrière de l'ouverture d'installation du filtre.
5. Pousser la manette vers l'arrière et pousser le filtre vers le haut.
6. Tirer le filtre vers l'avant et insérer le filtre dans la rainure avant.

### Filtres à charbon - pour configuration d'installation sans décharge à l'extérieur (recyclage)

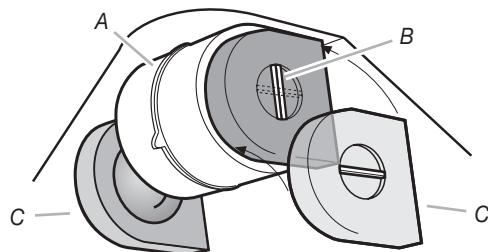
Les filtres à charbon ne sont pas lavables ou réutilisables.

On doit normalement changer les filtres à charbon à intervalle de 6 mois (service normal).

Les filtres à charbon ont pour fonction de retenir les composés responsables des odeurs de cuisson.

### Installation des filtres à charbon

1. Commander l'arrêt du ventilateur et l'extinction des lampes.
2. Retirer les filtres à graisse métalliques : pousser la manette vers l'arrière et tirer vers le bas.
3. Tirer le filtre vers l'avant; conserver le filtre à part.
4. Répéter ces opérations pour la dépose de l'autre filtre métallique.
5. Installer le filtre à charbon sur le carter du ventilateur; faire tourner la manette du blocage du filtre dans le sens horaire.



A. Carter du ventilateur  
B. Manette  
C. Filtres à charbon

6. Répéter ces opérations pour la dépose de l'autre filtre à charbon.

Réinstallation des filtres à graisse métalliques :

7. Insérer le bord arrière du filtre métallique dans la rainure arrière de l'ouverture d'installation du filtre.
8. Pousser la manette vers l'arrière et pousser le filtre vers le haut.
9. Tirer le filtre vers l'avant et insérer le filtre dans la rainure avant.

### Remplacement des filtres à charbon

1. Commander l'arrêt du ventilateur et l'extinction des lampes.
2. Enlever les filtres à graisse métalliques. Pousser la manette vers l'arrière et tirer vers le bas.
3. Tirer le filtre vers l'avant et conserver le filtre à part.
4. Répéter ces opérations pour la dépose de l'autre filtre.
5. Faire tourner la manette de blocage du filtre à charbon dans le sens antihoraire.
6. Enlever et jeter le filtre à charbon.
7. Répéter ces opérations pour l'autre filtre à charbon.
8. Installer un filtre à charbon sur le carter du ventilateur; faire tourner la manette de blocage dans le sens horaire.
9. Répéter ces opérations pour l'autre filtre à charbon.

Réinstallation des filtres à graisse métalliques :

10. Insérer le bord arrière du filtre métallique dans la rainure arrière de l'ouverture d'installation du filtre.
11. Pousser la manette vers l'arrière et pousser le filtre vers le haut.
12. Tirer le filtre vers l'avant et insérer le filtre dans la rainure avant.

### Remplacement d'une lampe

L'éclairage sous la hotte est assuré par des lampes à incandescence de type E12 (120 volts, 40W, culot E12). Avant toute intervention, vérifier que l'alimentation électrique de la hotte est interrompue, et que les lampes ont pu refroidir.

1. Placer le commutateur d'éclairage à la position "0" (extinction des lampes).
2. Retirer les filtres à graisse métalliques en poussant la manette vers l'arrière et en tirant vers le bas.
3. Tirer le filtre vers l'avant; conserver le filtre à part.
4. Répéter ces opérations pour la dépose de l'autre filtre.
5. Enlever chaque lampe défectueuse.
6. Installer une lampe neuve à la place de chaque lampe défectueuse.

Réinstallation des filtres à graisse métalliques :

7. Insérer le bord arrière du filtre métallique dans la rainure arrière de l'ouverture d'installation du filtre.
8. Pousser la manette vers l'arrière et pousser le filtre vers le haut.
9. Tirer le filtre vers l'avant et insérer le filtre dans la rainure avant.

---

## Accessoires

Filtre à charbon.....Pièce numéro 4396848

---

# ASSISTANCE OU SERVICE

---

Lors d'un appel pour assistance ou service, veuillez connaître la date d'achat, le numéro de modèle et le numéro de série au complet de l'appareil. Ces renseignements nous aideront à mieux répondre à votre demande.

## Si vous avez besoin de pièces de rechange

Si vous avez besoin de commander des pièces de rechange, nous vous recommandons d'employer uniquement des pièces spécifiées par l'usine. Les pièces spécifiées par l'usine fonctionneront bien parce qu'elles sont fabriquées avec la même précision utilisée dans la fabrication de chaque nouvel appareil. Pour localiser des pièces spécifiées par l'usine dans votre région, nous appeler ou téléphoner au centre de service désigné le plus proche.

## Au Canada

Veuillez appeler sans frais le Centre pour l'eXpérience de la clientèle de Whirlpool Canada LP au : **1-866-664-2449**.

### Nos consultants vous renseigneront sur les sujets suivants :

- Caractéristiques et spécifications sur toute notre gamme d'appareils électroménagers.
- Consignes d'utilisation et d'entretien.
- Vente d'accessoires et de pièces de rechange.
- Références aux marchands locaux, aux distributeurs de pièces de rechange et aux compagnies de service. Les techniciens de service désignés par Whirlpool Canada LP sont formés pour remplir la garantie des produits et fournir un service après la garantie, partout au Canada.

### Pour plus d'assistance

Si vous avez besoin de plus d'assistance, vous pouvez soumettre par écrit toute question ou préoccupation à Whirlpool Canada LP à l'adresse suivante :

Centre pour l'eXpérience de la clientèle  
Whirlpool Canada LP  
1901 Minnesota Court  
Mississauga, Ontario L5N 3A7

Veuillez inclure dans votre correspondance un numéro de téléphone où on peut vous joindre dans la journée.

# GARANTIE DES GROS APPAREILS MÉNAGERS IKEA

## Pendant combien de temps la garantie limitée IKEA est-elle valide?

Cette garantie limitée est valide pendant cinq ans à compter de la date d'achat lorsque ce gros appareil ménager a été utilisé et entretenu conformément aux instructions jointes au produit ou fournies avec celui-ci, sauf si l'appareil porte le nom LAGAN, auquel cas cette garantie limitée est valide pendant un an à compter de la date d'achat. Cette garantie limitée est valide uniquement aux États-Unis ou au Canada et s'applique exclusivement lorsque le gros appareil ménager est utilisé dans le pays où il a été acheté. Une preuve de la date d'achat d'origine est exigée pour obtenir un service dans le cadre de la présente garantie limitée.

## Quels sont les appareils ménagers non couverts par la garantie limitée IKEA de cinq (5) ans?

Pour les gros appareils ménagers portant le nom "LAGAN", cette garantie limitée est valide pendant un an à compter de la date d'achat.

## Qui effectuera l'intervention d'entretien ou de réparation?

Cette garantie limitée est fournie par Whirlpool Corporation ou Whirlpool Canada LP (ci-après désignées "Whirlpool"). Le service doit être fourni par une compagnie de service désignée par Whirlpool.

## Que couvre cette garantie limitée?

La garantie limitée paiera pour les pièces spécifiées par l'usine et la main-d'œuvre pour corriger les vices de matériaux ou de fabrication qui existaient déjà lorsque ce gros appareil ménager a été acheté. Les exceptions figurent sous le titre "Quels sont les éléments non couverts par cette garantie limitée?".

## Quelles mesures seront prises pour corriger le problème?

La compagnie de service désignée examinera le produit et décidera, à sa seule discrétion, si ce produit est couvert par cette garantie limitée ou non. S'il est considéré comme couvert, la compagnie de service désignée corrigera le défaut. Le seul et exclusif recours du client dans le cadre de la présente garantie limitée consiste en la réparation du produit telle que mentionné dans la présente.

## Quels sont les éléments non couverts par cette garantie limitée?

- Les visites de service pour rectifier l'installation du gros appareil ménager, montrer à l'utilisateur comment utiliser le gros appareil ménager, remplacer ou réparer des fusibles du domicile ou rectifier le câblage ou la plomberie du domicile.
- Les visites de service pour réparer ou remplacer les ampoules électriques, les filtres à air ou les filtres à eau de l'appareil. Les pièces consommables ne sont pas couvertes par la garantie.
- Les pièces de rechange ou la main-d'œuvre lorsque ce gros appareil ménager est utilisé à des fins autres que l'usage domestique unifamilial normal ou lorsque les instructions d'installation et/ou les instructions de l'opérateur ou de l'utilisateur fournies ne sont pas respectées.
- Les dommages imputables à : accident, modification, usage impropre ou abusif, incendie, inondation, actes de Dieu, installation fautive ou installation non conforme aux codes d'électricité ou de plomberie ou l'utilisation de pièces consommables ou de produits de nettoyage dont l'utilisation n'est pas approuvée.
- Les défauts d'apparence, notamment les arafures, traces de choc, fissures ou tout autre dommage subi par le fini du gros appareil ménager, à moins que ces dommages ne résultent de vices de matériaux ou de fabrication et ne soient signalés dans les 30 jours qui suivent la date d'achat.
- Toute perte d'aliments ou de médicaments due à une défaillance du réfrigérateur ou du congélateur.
- L'enlèvement et la livraison. Ce gros appareil ménager est conçu pour être réparé à domicile.
- Les réparations aux pièces ou systèmes résultant d'une modification non autorisée faite à l'appareil.
- Les frais de déplacement et de transport pour une intervention sur un produit si le gros appareil ménager est situé dans une région éloignée où un service d'entretien autorisé n'est pas disponible.
- L'enlèvement et la réinstallation du gros appareil ménager si celui-ci est installé dans un endroit inaccessible ou n'est pas installé conformément aux instructions d'installation fournies.
- Les pièces de rechange ou la main-d'œuvre pour les gros appareils ménagers dont les numéros de modèle/de série ont été enlevés, modifiés ou ne peuvent pas être facilement identifiés.

Le coût d'une réparation ou de pièces de rechange dans le cadre de ces circonstances exclues est à la charge du client.

## Clause d'exonération de responsabilité au titre des garanties implicites

LES GARANTIES IMPLICITES, Y COMPRIS LES GARANTIES APPLICABLES DE QUALITÉ MARCHANDE OU D'APTITUDE À UN USAGE PARTICULIER, SONT LIMITÉES À CINQ ANS (UN AN POUR LES GROS APPAREILS MÉNAGERS PORTANT LE NOM "LAGAN") OU À LA PLUS COURTE PÉRIODE AUTORISÉE PAR LA LOI. Certains États et provinces ne permettent pas de limitation sur la durée de garanties implicites de qualité marchande ou d'aptitude à un usage particulier, de sorte que la limitation ci-dessus peut ne pas être applicable dans votre cas. Cette garantie vous confère des droits juridiques spécifiques et vous pouvez également jouir d'autres droits qui peuvent varier d'une juridiction à l'autre.

## Limitation des recours; exclusion des dommages fortuits et indirects

LE SEUL ET EXCLUSIF RECOURS DU CLIENT DANS LE CADRE DE LA PRÉSENTE GARANTIE LIMITÉE CONSISTE EN LA RÉPARATION PRÉVUE CI-DESSUS. WHIRLPOOL N'ASSUME AUCUNE RESPONSABILITÉ POUR LES DOMMAGES FORTUITS OU INDIRECTS. Certains États et certaines provinces ne permettent pas l'exclusion ou la limitation des dommages fortuits ou indirects de sorte que ces limitations et exclusions peuvent ne pas être applicables dans votre cas. Cette garantie vous confère des droits juridiques spécifiques et vous pouvez également jouir d'autres droits qui peuvent varier d'une juridiction à l'autre.

## Comment nous contacter si vous avez besoin d'une intervention d'entretien ou de réparation

Si vous résidez à l'extérieur des 50 États des États-Unis et du Canada, contactez votre marchand IKEA autorisé pour déterminer si une autre garantie s'applique.

Si vous avez besoin d'une intervention d'entretien ou de réparation, veuillez lire les Instructions d'installation et/ou la section "Dépannage" dans le Guide d'utilisation et d'entretien avant de nous contacter. Si vous avez besoin d'aide supplémentaire, n'hésitez pas à nous contacter aux États-Unis et au Canada au **1-866-664-2449**.

2/09

**Conservez ce manuel et votre reçu de vente ensemble pour référence ultérieure. Pour le service sous garantie, vous devez présenter un document prouvant la date d'achat ou d'installation.**

Inscrivez les renseignements suivants au sujet de votre gros appareil ménager pour mieux vous aider à obtenir assistance ou service en cas de besoin. Vous devrez connaître le numéro de modèle et le numéro de série au complet. Vous trouverez ces renseignements sur la plaque signalétique située sur le produit.

Nom du marchand \_\_\_\_\_

Adresse \_\_\_\_\_

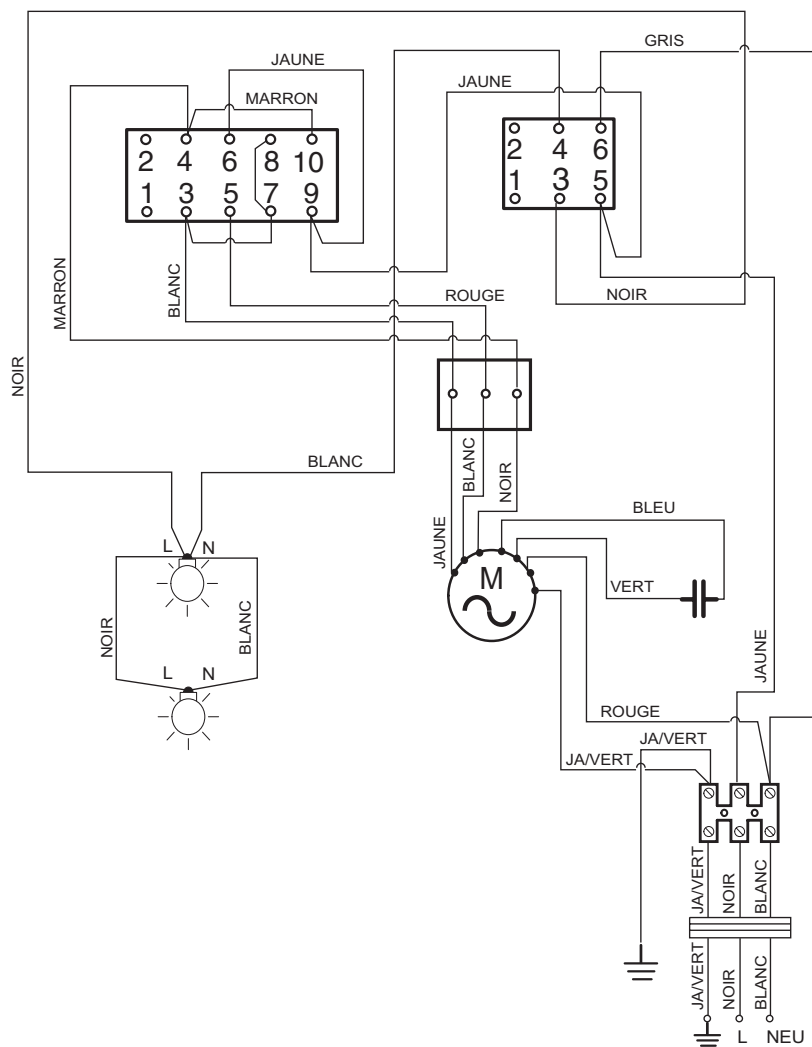
Numéro de téléphone \_\_\_\_\_

Numéro de modèle \_\_\_\_\_

Numéro de série \_\_\_\_\_

Date d'achat \_\_\_\_\_

## SCHÉMA DE CÂBLAGE



**9763375A**

© 2009.  
All rights reserved.  
Tous droits réservés.

® IKEA is a registered trademark of Inter-Ikea Systems B.V.  
® IKEA est une marque déposée de Inter-Ikea Systems B.V.

2/09  
Printed in Italy  
Imprimé en Italie